

Dolly

Garage door opener for sectional and counterweight doors up to 16 m² for residential and industrial settings

24Vdc motor suitable for semi intensive and intensive use.

Extremely compact design to adapt to any installation context.

Control unit integrated onboard the motor and user friendly programming display.

Double encoder technology for maximum precision in opening and closing.

Integrated low-consumption LED courtesy light.

Embedded receiver with a storage capacity up to 40 different user codes.

Plug-in terminals for accessory connection.

Compartment for plug-and-play back-up battery connection to grant continue operation even in the event of power cut.

Quick motor fixing to the rail.

Pre-assembled steel rail provided in two pieces.

Belt-transmission system for silent operation and easy adjustment.

Available in **3 different versions** based on door size and use

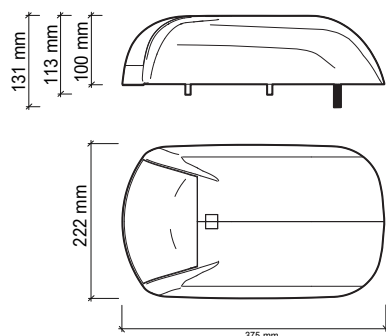


Garage Door Automation

THE RANGE

	Power supply	Lift force	Max door surface	Drive system	Rail
DOLLY 600	24V	600 N	10 m ²	belt	3,0 m (MDLR01 = 2 pieces, 1500 ÷ 1500 mm)
DOLLY 1000	24V	1000 N	14 m ²	belt	3,2 m (MDLR01 = 2 pieces, 1600 ÷ 1600 mm)
DOLLY 1200	24V	1200 N	16 m ²	belt	3,5 m (MDLR03 = 2 pieces, 1750 ÷ 1750 mm)

DIMENSIONS



TECHNICAL FEATURES

	DOLLY 600	DOLLY 1000	DOLLY 1200
Power supply	230V-50/60Hz	230V-50/60 Hz	230V-50/60Hz
Motor voltage	24V dc	24V dc	24V dc
Maximum power	200 W	245W	260W
Maximum traction force	600 N	1000 N	1200 N
Rated force	300 N	400 N	450 N
Maximum door area	10 m ²	14 m ²	16 m ²
Maximum door weight	100 kg	140 kg	160 kg
Maximum continuous operating time	4 min ON	4 min ON	4 min ON
Cycles/hour (max)	36 min OFF	36 min OFF	36 min OFF
IP protection rating	20	15	13
Working temperature	20	20	20
Radio frequency	-20°C ÷ + 40°C	-20°C ÷ + 40°C	-20°C ÷ + 40°C
Radio code storage	433,92 MHz	433,92 MHz	433,92 MHz
Relative humidity rate	40	40	40
	<90%	<90%	<90%

KIT CONTENT



DOLLY
Automated operator featuring a control board and radio receiver 433.92 MHz



IKON
4-ch transmitters



MDLR01 Rail L=3000
MDLR02 Rail L=3200
MDLR03 Rail L=3500

OPTIONAL ACCESSORIES



LUCE
LED 24V flashing light



RF40
Photocell set 12-24V external mounting

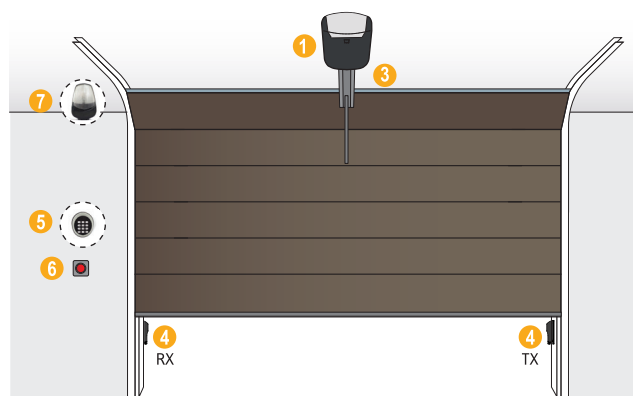


MLIR07
Pull-cord release and resetting device to fit on door handle



ARC02
Adapter arm for protruding overhead doors

INSTALLATION MAP



- 1_Door opener featuring control board and radio receiver
- 2_Courtesy light
- 3_Chain guide
- 4_ Photocells
- 5_Wireless keypads
- 6_Emergency push button
- 7_Flashing light